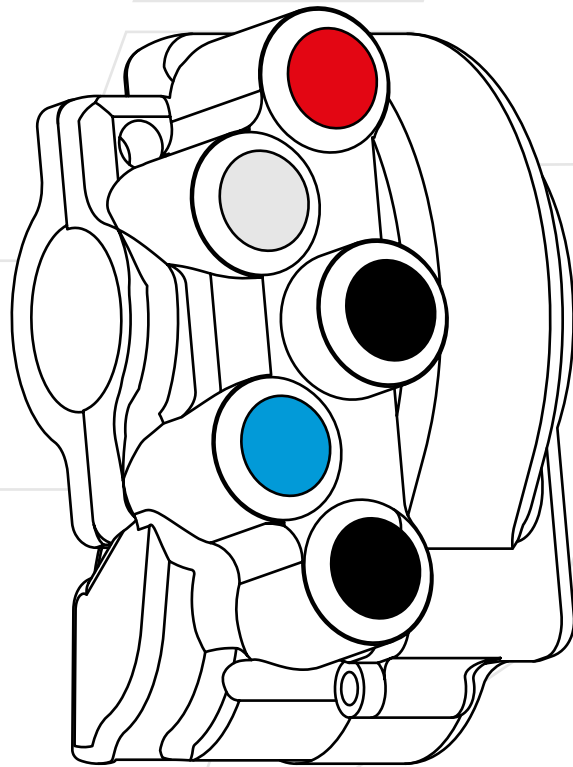




# ***THROTTLE CONTROL WITH INTEGRATED HANDLEBAR SWITCH***



**Ref. JP CO YA033**

## TECHNICAL FEATURES

- CNC-machined anodized aluminium body
- stronger and lighter than the original part
- IP69K protection
- laser engraving
- wired with RAYCHEM 105° cable and sealed with RAYCHEM S1125 resin

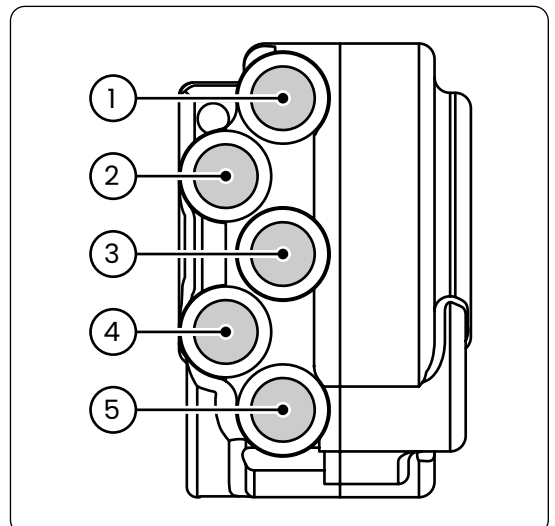
## INSTALLATION

This product is plug-and-play, no modification is required on the bike:

1. make sure the ignition is turned off
2. remove the bar end weight on the throttle side
3. disconnect and remove the throttle control (refer to the manufacturer's workshop manual)
4. open the throttle control housing and remove the electronic throttle and the throttle tube
5. insert the throttle tube through the designated hole in the JETPRIME housing, making sure that the retaining notch is correctly positioned
6. insert the electronic throttle in the JETPRIME throttle control housing
7. install the JETPRIME throttle control on the handlebar using the provided bolts, and tighten to 10 Nm
8. connect the wiring to the original connectors
9. reinstall the bar end weight

## FUNCTIONS

1. ON/OFF
2. UP
3. MODE
4. DOWN
5. START





**JETPRIME S.R.L.**

Via Eugenio Montale, 1  
41016 Novi di Modena - Rovereto sulla Secchia (MO)  
Phone: +39 059 672223 - Email: [info@jetprime.it](mailto:info@jetprime.it)

**[www.jetprimeshop.it](http://www.jetprimeshop.it)**

All JETPRIME products are designed for racing use only and should be installed by an expert.

The manufacturer, importer, or dealer shall not be liable for any damage caused by improper installation or operation of the JETPRIME product.

The warranty is limited to defects recognized by our technical department and to normal use. The warranty is void in case of accident, modification, improper or racing use.

Do not install the product on a motorcycle for which it was not designed or tested by JETPRIME.

The technical specifications of JETPRIME products and related products are subject to change without notice.